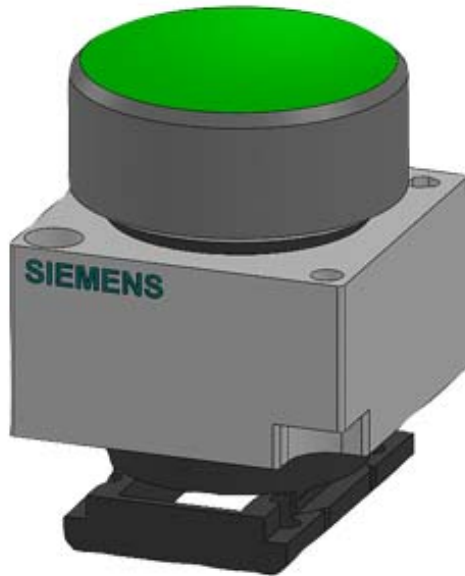


Illuminated pushbutton, 22mm, round, metal, green, pushbutton, flat, with holder for 3 elements, with holder !!! Phased-out product !!!  
 SIRIUS ACT 3SU1 is successor Preferred successor type is  
 >>3SU1051-0AB40-0AA0 + 3SU1550-0AA10-0AA0<<



<b>Design of the product</b>	Single device round
<b>Enclosure</b>	
Number of command points	1
<b>Actuator</b>	
Design of the operating mechanism	Illuminated pushbutton
Manner of function of the actuating element	momentary contact type
Product extension optional Light source	Yes
<b>Color</b>	
• of the actuating element	green
Material of the actuating element	plastic
Shape of the actuating element	Flat pushbutton
Outer diameter of the actuating element	28.5 mm
Type of unlocking device	without
Number of switching positions	2
<b>Front ring</b>	
Product component front ring	Yes
Design of the front ring	Standard
Material of the front ring	metal

Color of the front ring	silver
<b>Holder</b>	
Material of the holder	Metal
<b>General technical data</b>	
<b>Product function</b>	
• EMERGENCY OFF function	No
• EMERGENCY STOP function	No
<b>Protection class IP</b>	IP67
<b>Vibration resistance</b>	
• acc. to IEC 60068-2-6	20 ... 200 Hz: 5g
<b>Operating frequency maximum</b>	1 000 1/h
<b>Mechanical service life (switching cycles)</b>	
• typical	3 000 000
<b>Reference code acc. to DIN 40719 extended according to IEC 204-2 acc. to IEC 750</b>	S
<b>Reference code acc. to DIN EN 81346-2</b>	S
<b>Reference code acc. to DIN EN 61346-2</b>	S
<b>Connections/ Terminals</b>	
<b>Tightening torque of the screws in the bracket</b>	1.4 ... 1.6 N·m
<b>Ambient conditions</b>	
<b>Ambient temperature</b>	
• during operation	-25 ... +70 °C
• during storage	-40 ... +80 °C
<b>Environmental category during operation acc. to IEC 60721</b>	3K6
<b>Installation/ mounting/ dimensions</b>	
<b>Mounting type</b>	front mounting
<b>Shape of the installation opening</b>	round
<b>Mounting diameter</b>	22 mm
<b>Mounting height</b>	12 mm
<b>Installation width</b>	28.5 mm
<b>Installation depth</b>	29 mm
<b>Certificates/ approvals</b>	

General Product Approval	Declaration of Conformity	Marine / Shipping
--------------------------	---------------------------	-------------------



[Miscellaneous](#)



Marine / Shipping	other
-------------------	-------



[Miscellaneous](#)

[Confirmation](#)

other	Railway
-------	---------

[Environmental Confirmations](#)

[Special Test Certificate](#)

#### Further information

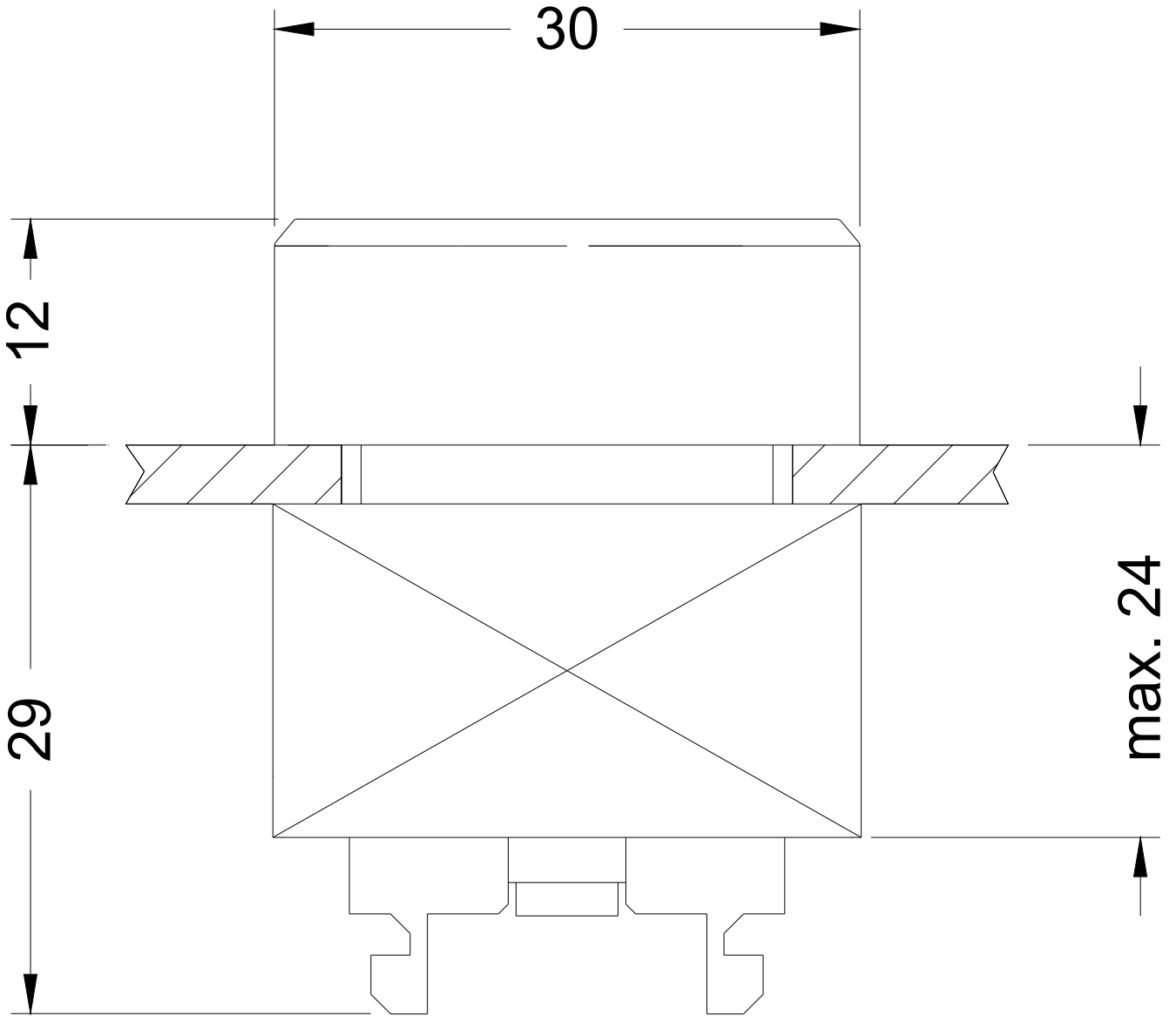
**Information- and Downloadcenter (Catalogs, Brochures,...)**  
[www.siemens.com/ic10](http://www.siemens.com/ic10)

**Industry Mall (Online ordering system)**  
<https://mall.industry.siemens.com/mall/en/en/Catalog/product?mlfb=3SB3501-0AA41>

**Cax online generator**  
<http://support.automation.siemens.com/WW/CAXorder/default.aspx?lang=en&mlfb=3SB3501-0AA41>

**Service&Support (Manuals, Certificates, Characteristics, FAQs,...)**  
<https://support.industry.siemens.com/cs/ww/en/ps/3SB3501-0AA41>

**Image database (product images, 2D dimension drawings, 3D models, device circuit diagrams, EPLAN macros, ...)**  
[http://www.automation.siemens.com/bilddb/cax\\_de.aspx?mlfb=3SB3501-0AA41&lang=en](http://www.automation.siemens.com/bilddb/cax_de.aspx?mlfb=3SB3501-0AA41&lang=en)



last modified:

01/08/2020